

The Panelling Centre

KITCHEN & BEDROOM SPECIALISTS

RAPID ROBE
THE WARDROBE SYSTEM

Assembly Instructions

Bridging Unit

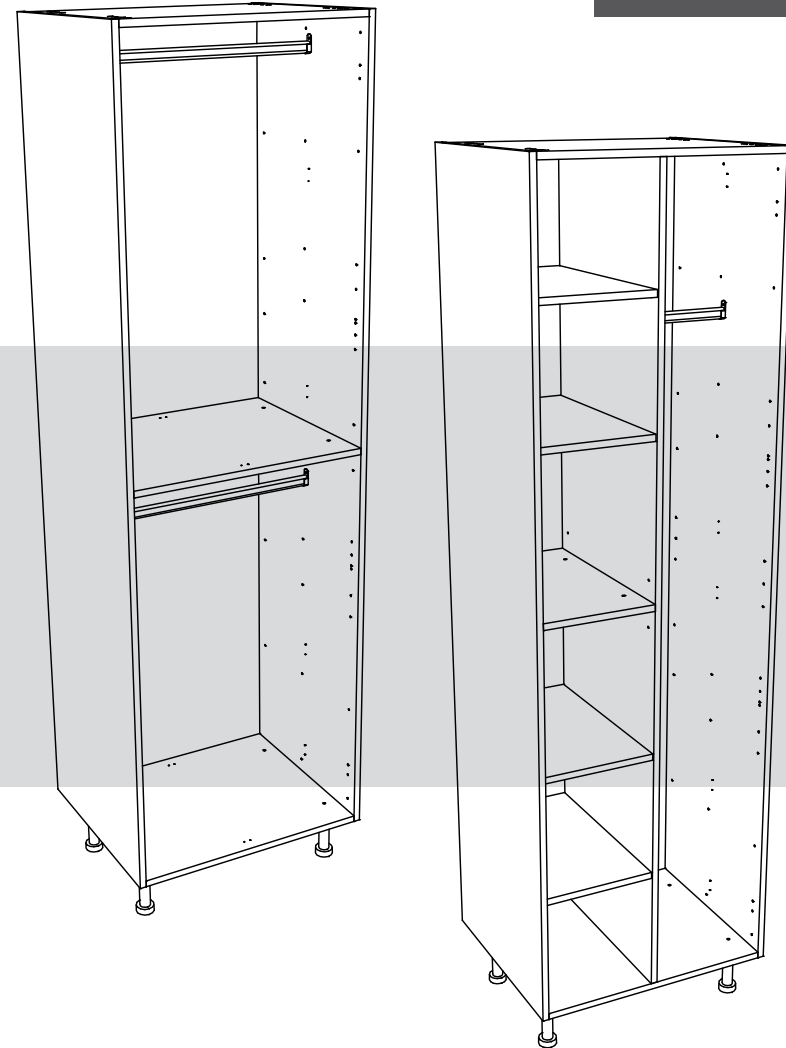
Standard Wardrobe Single Hanging

Standard Wardrobe Double Hanging

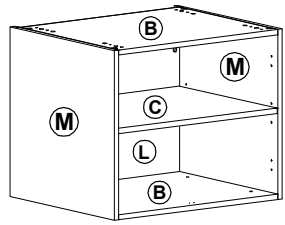
Standard Wardrobe with Shelves

Divider Wardrobe

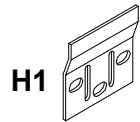
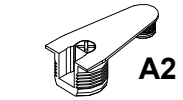
Corner Wardrobe



Bridging Unit

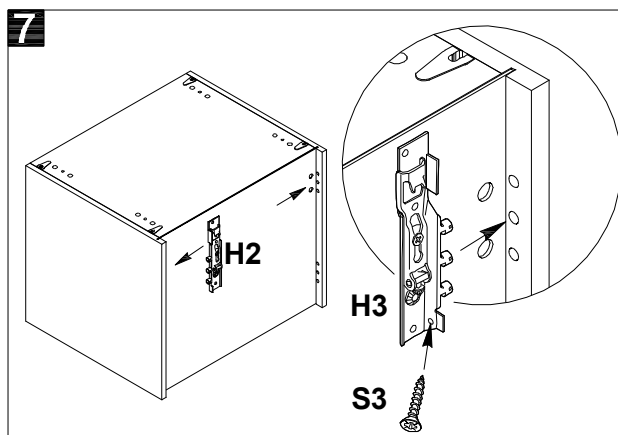
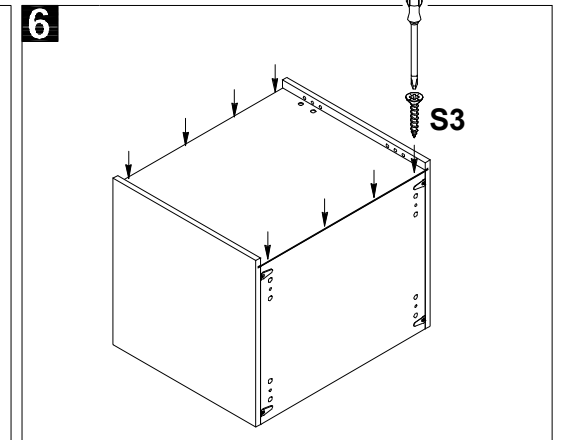
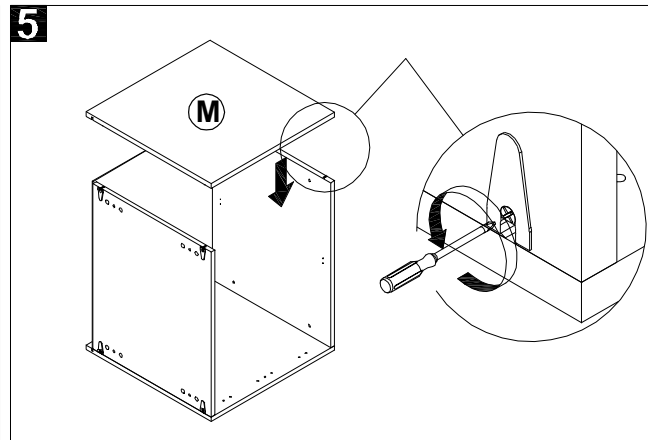
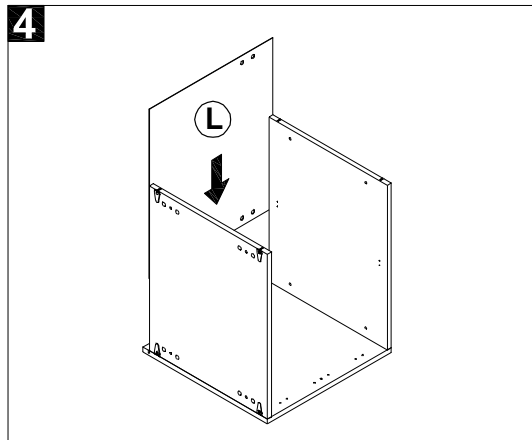
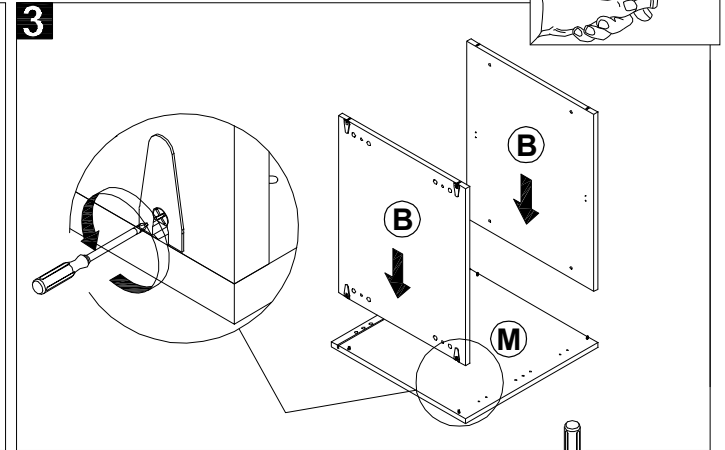
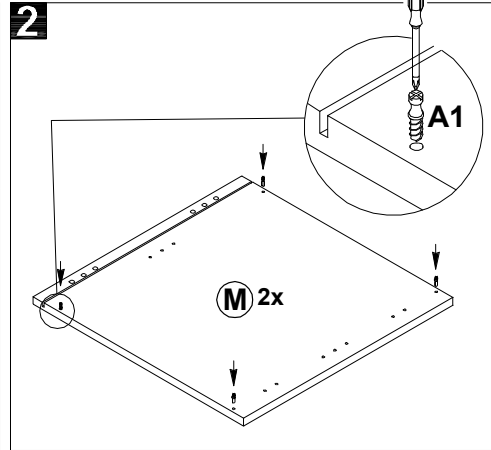
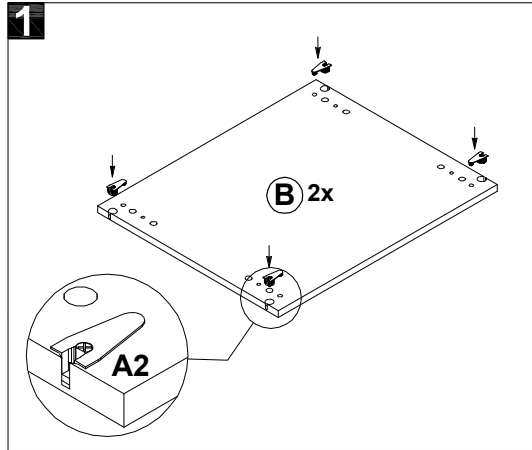


Parts

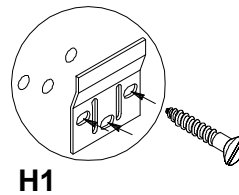


H3

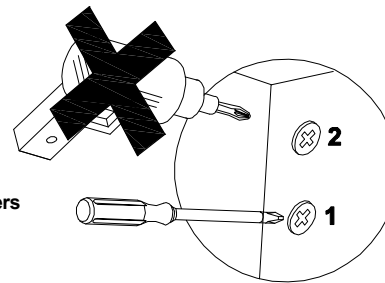
H2



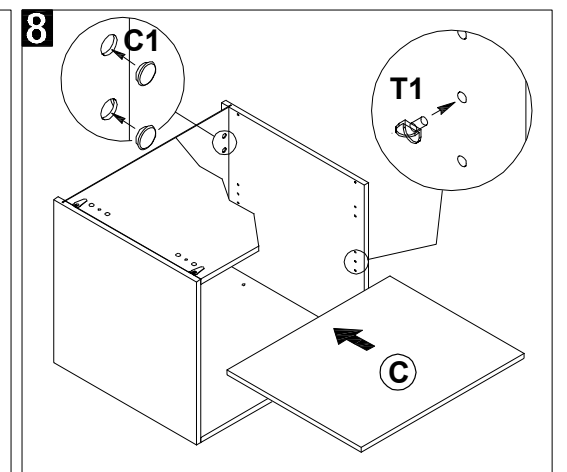
NOTE:
attach bracket
securely to
wall using
suitable fasteners



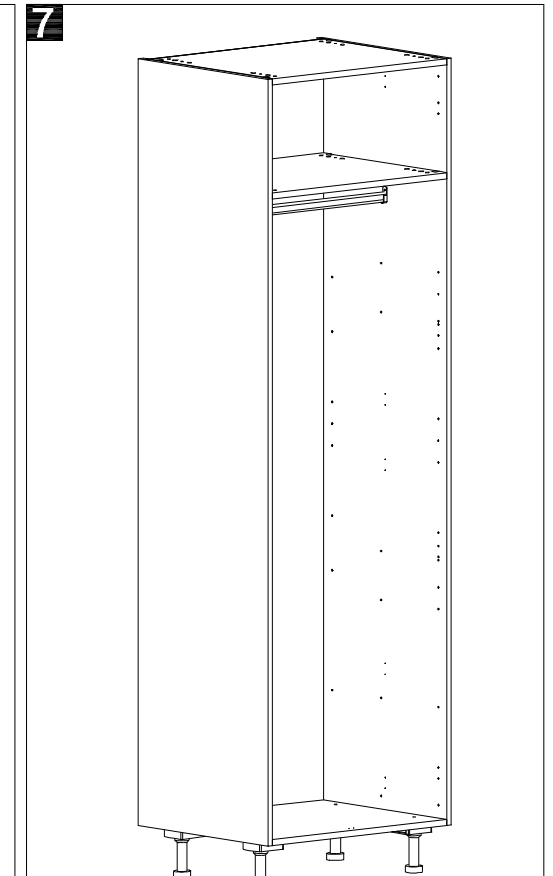
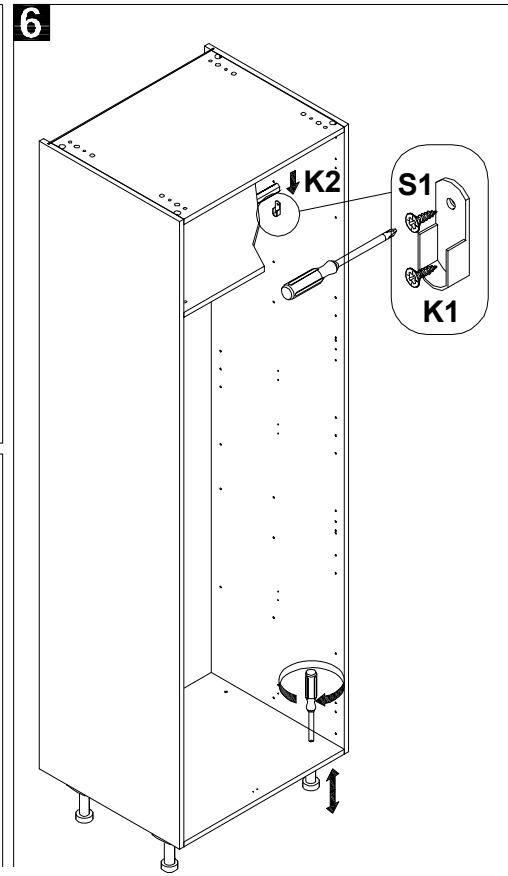
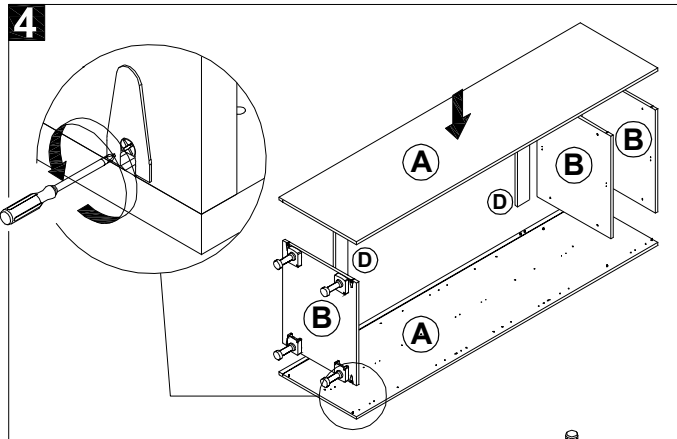
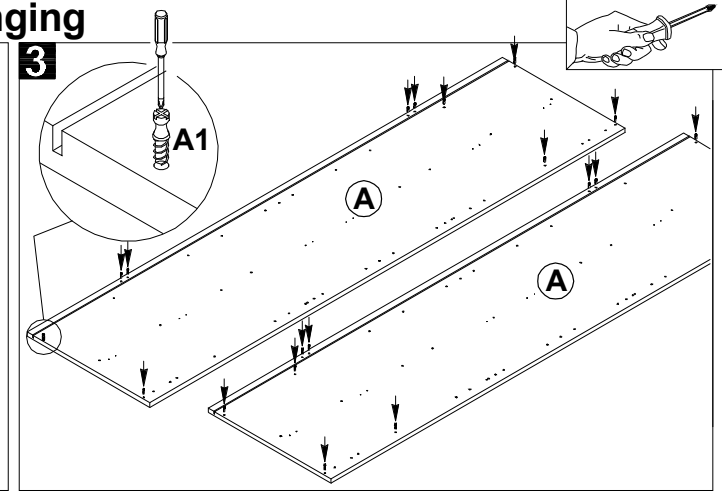
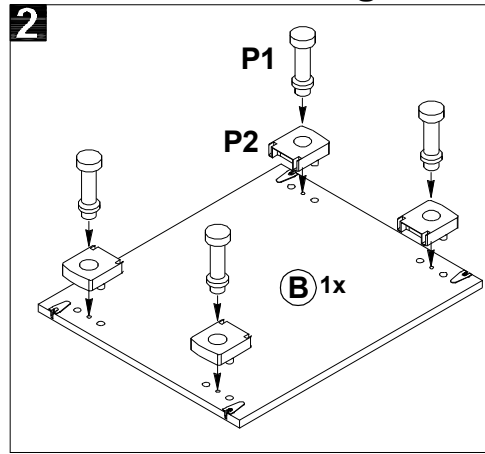
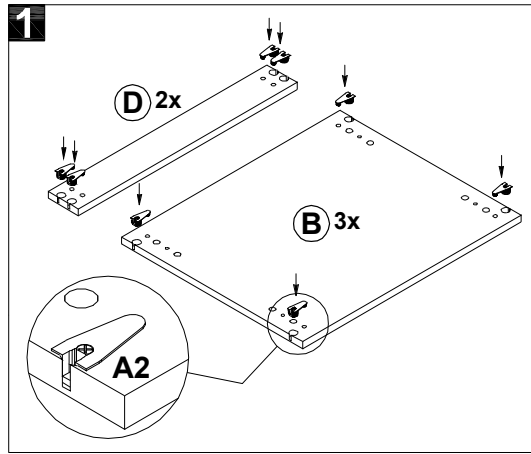
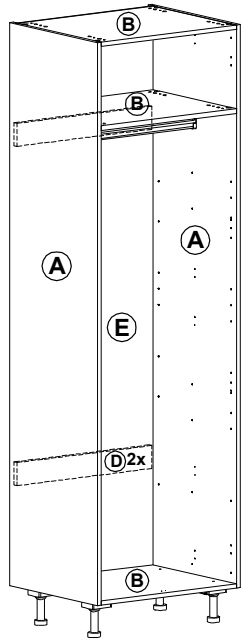
H1



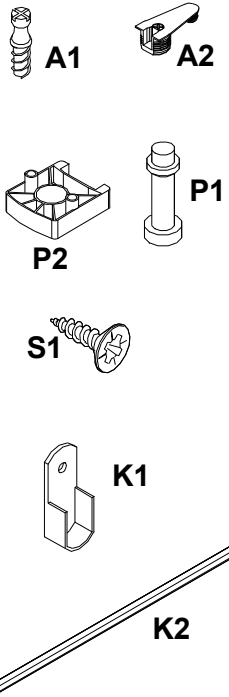
NOTE:
to avoid damage,
adjust lower screw first
to fix cabinet to wall



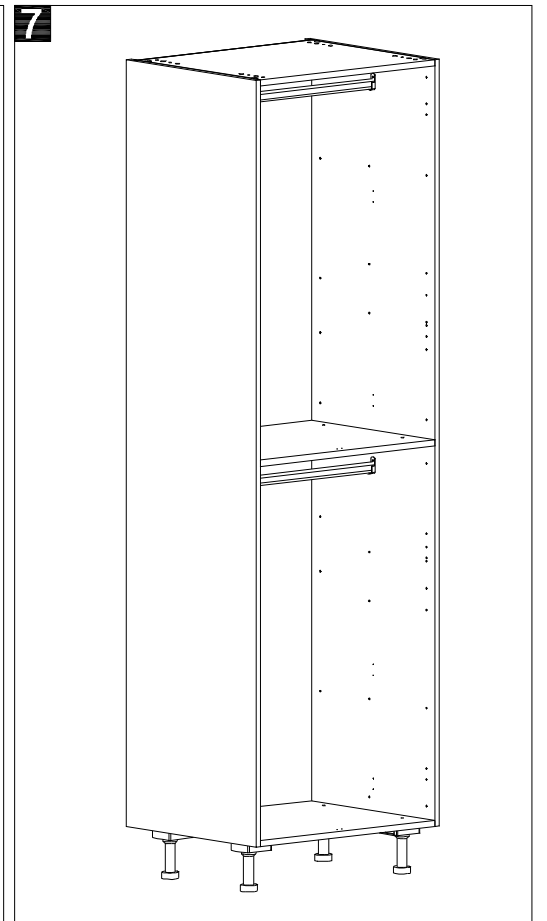
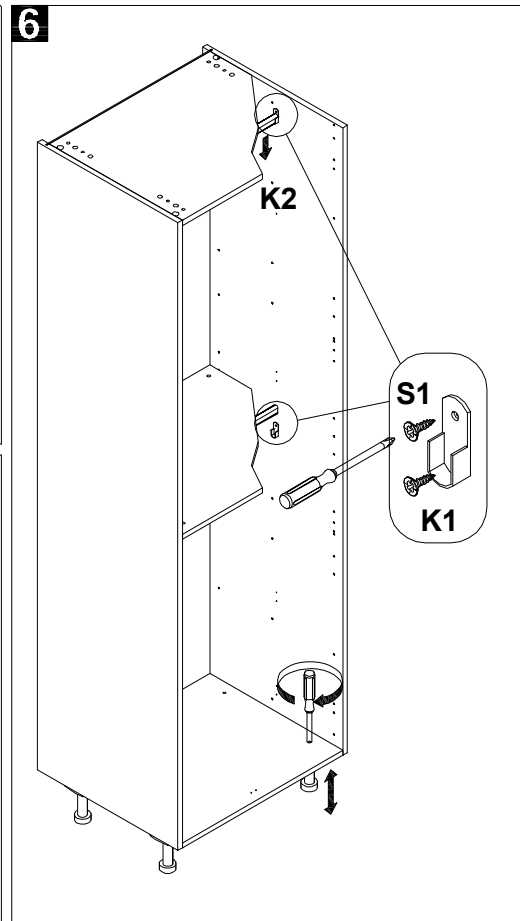
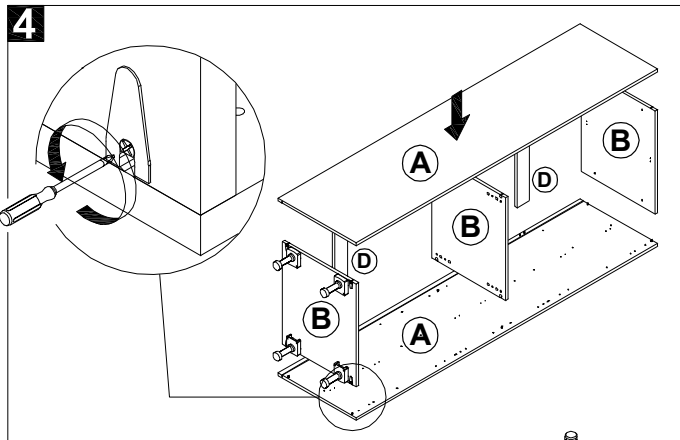
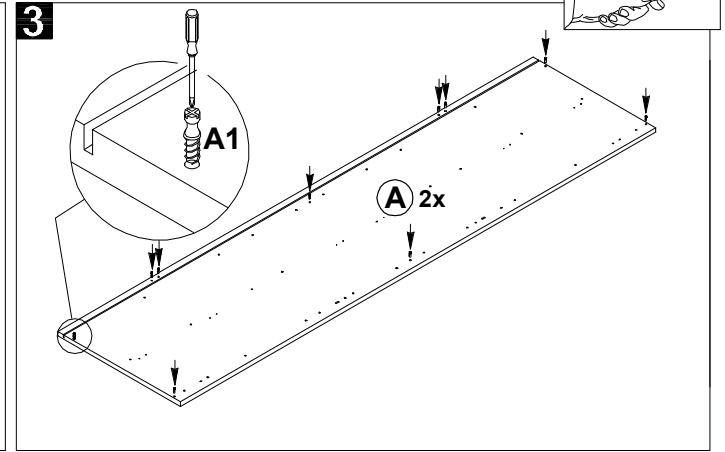
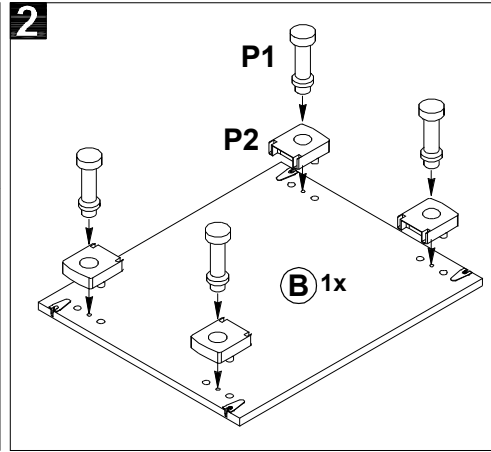
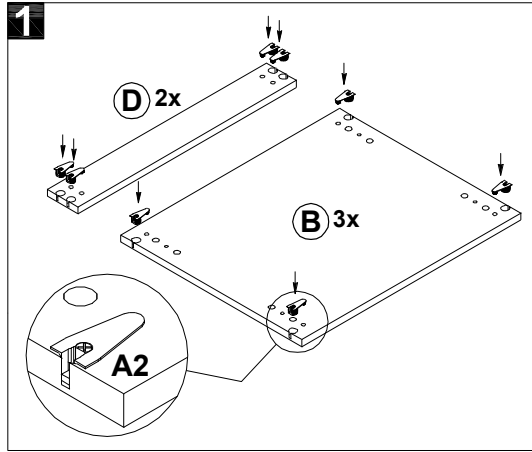
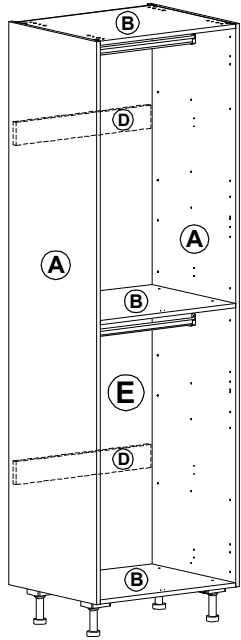
Standard Wardrobe Single Hanging



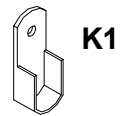
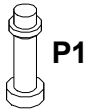
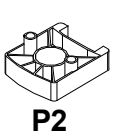
Parts



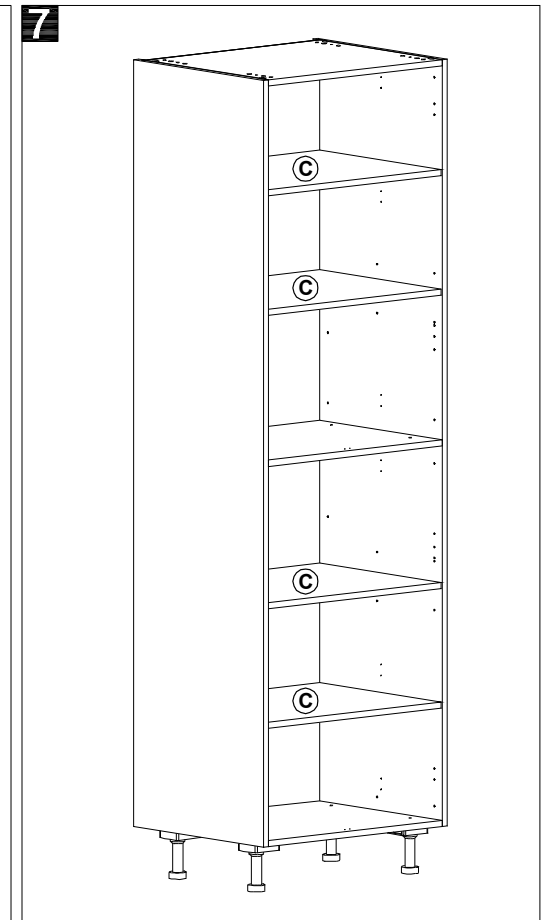
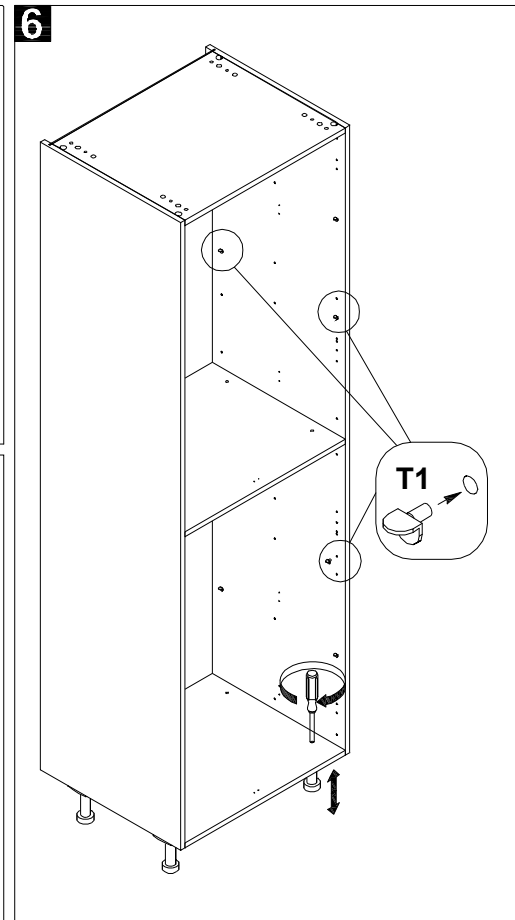
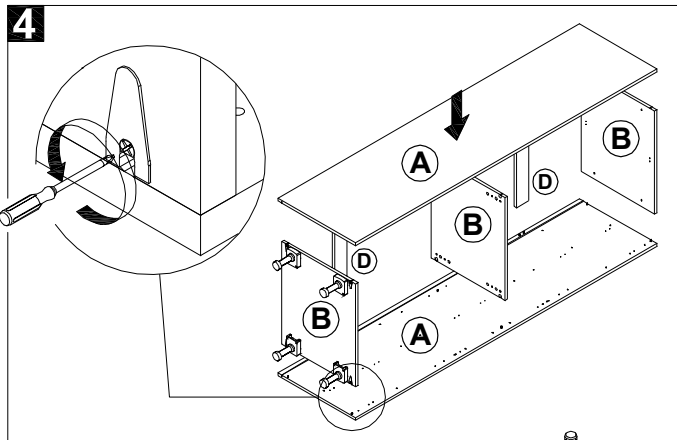
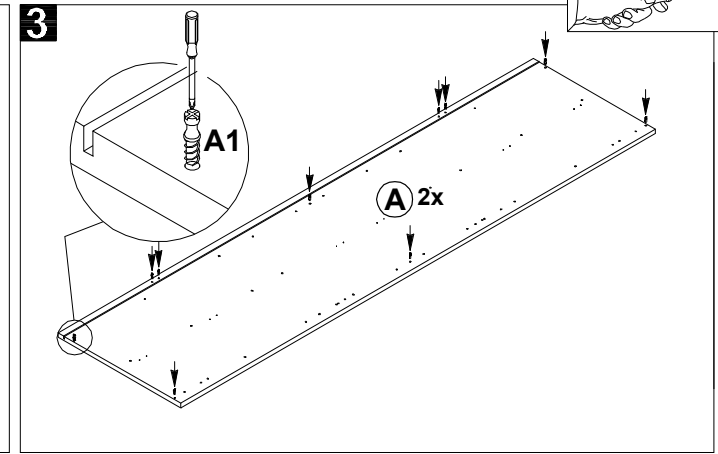
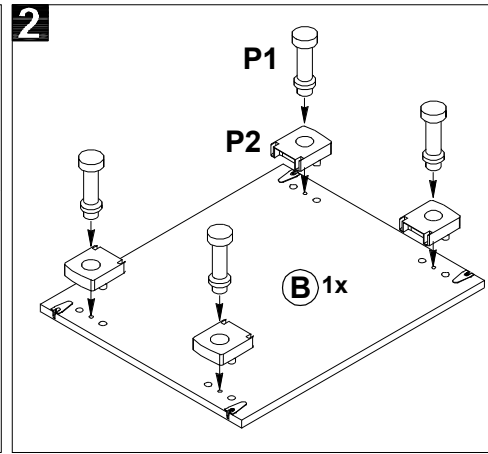
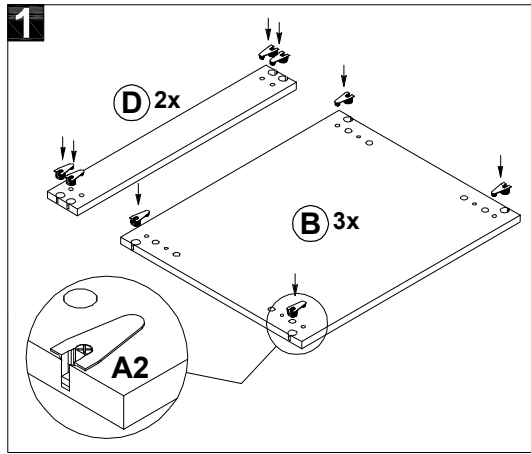
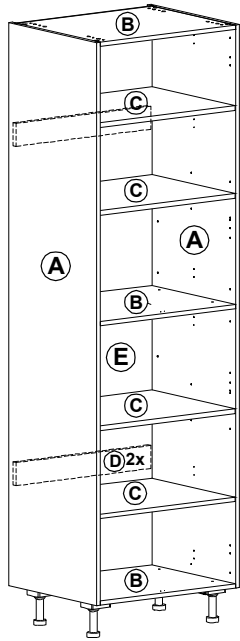
Standard Wardrobe Double Hanging



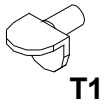
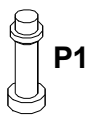
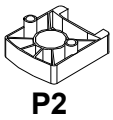
Parts



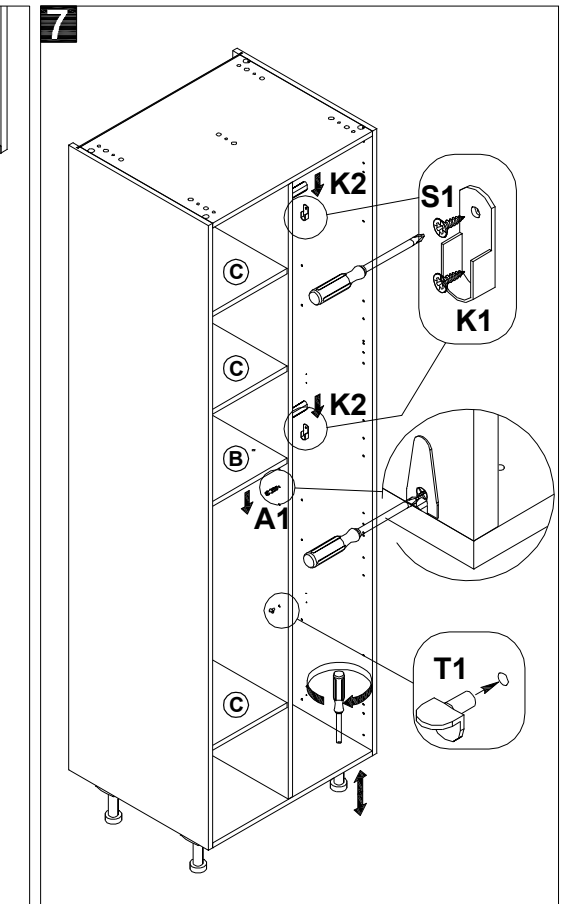
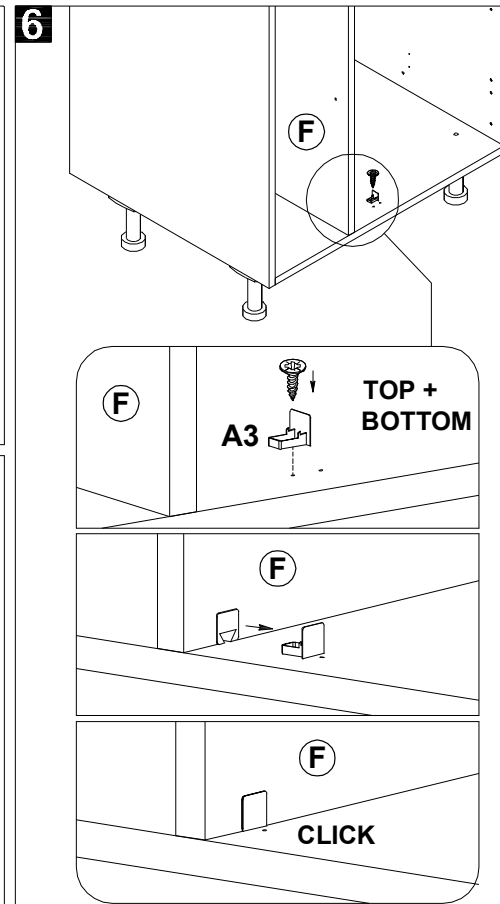
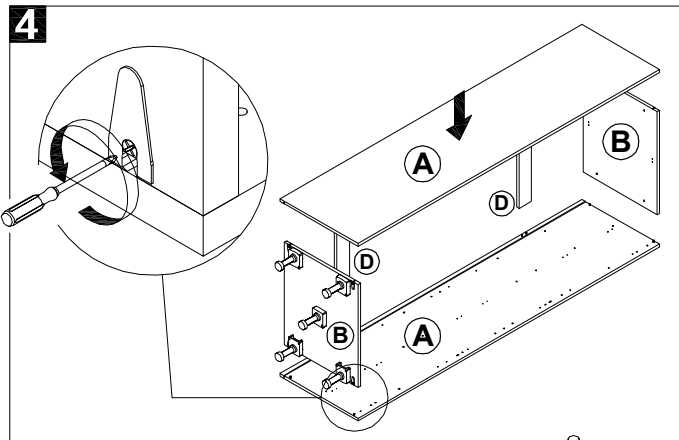
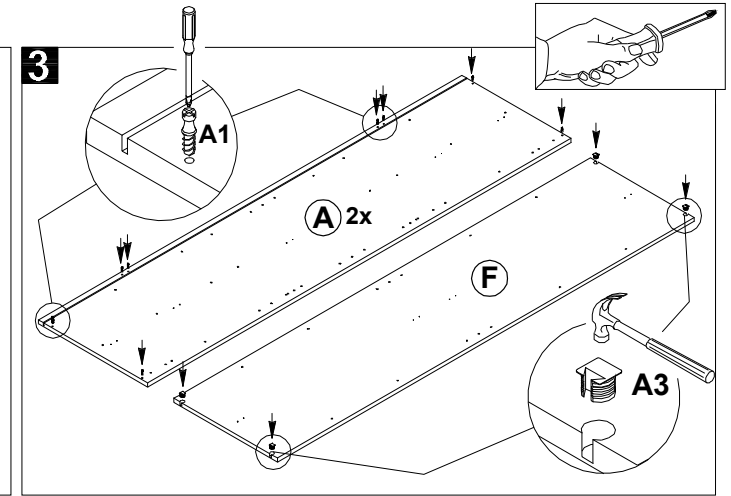
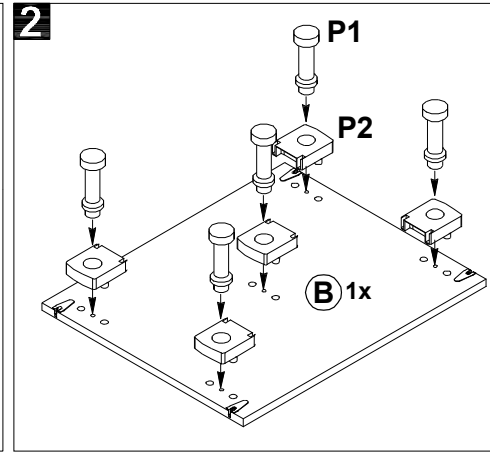
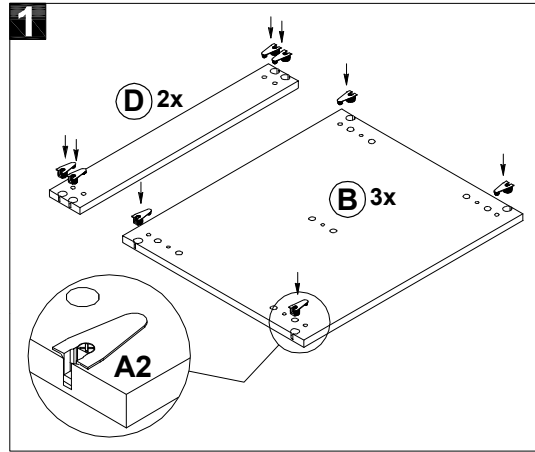
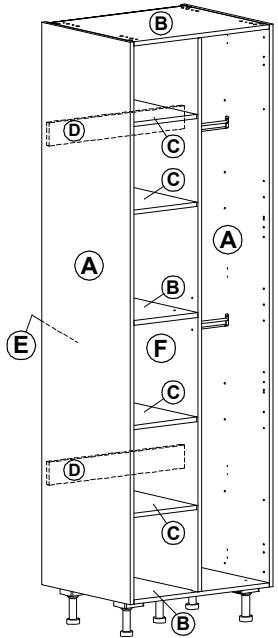
Standard Wardrobe with Shelves



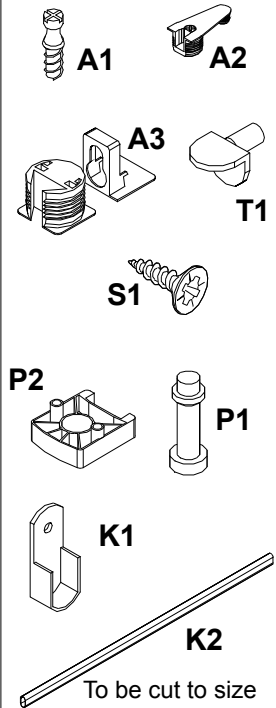
Parts



Divider Wardrobe



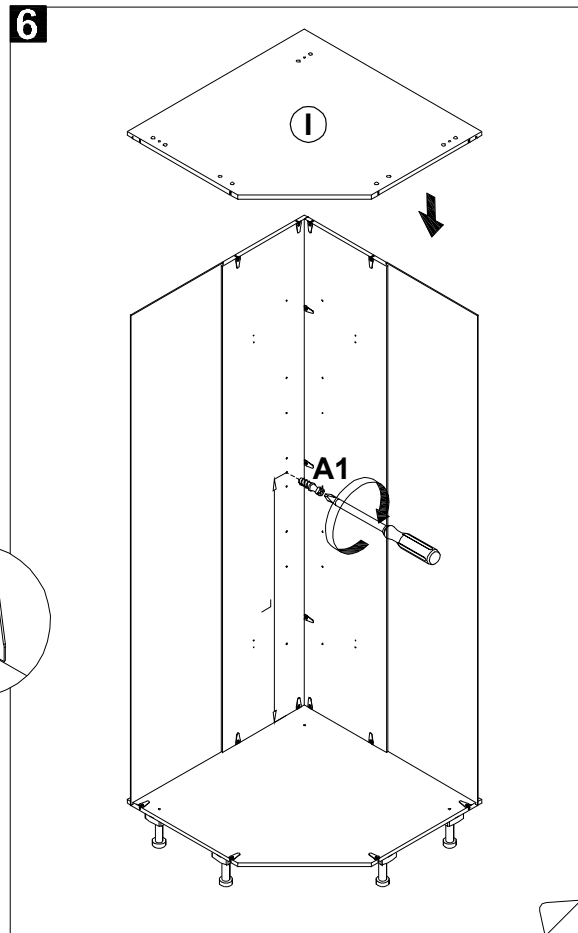
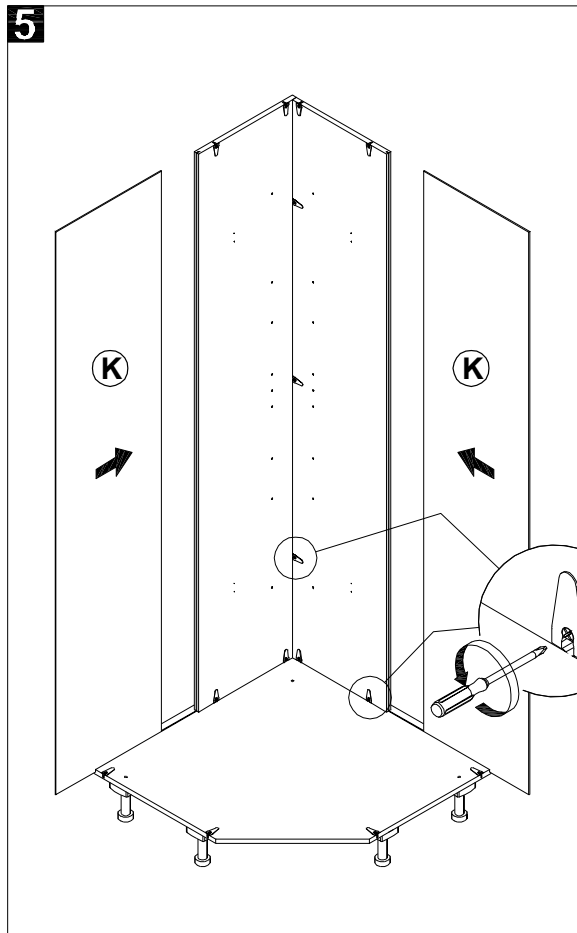
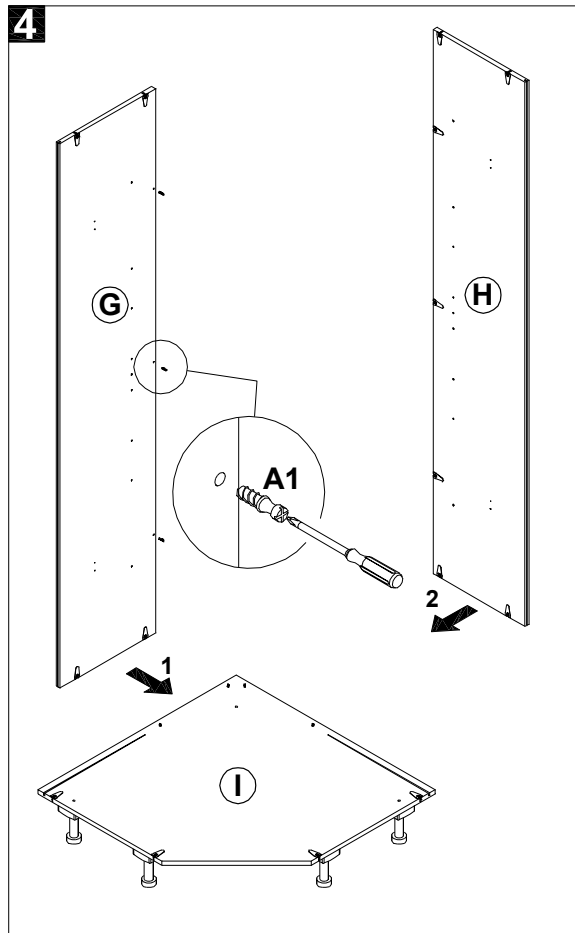
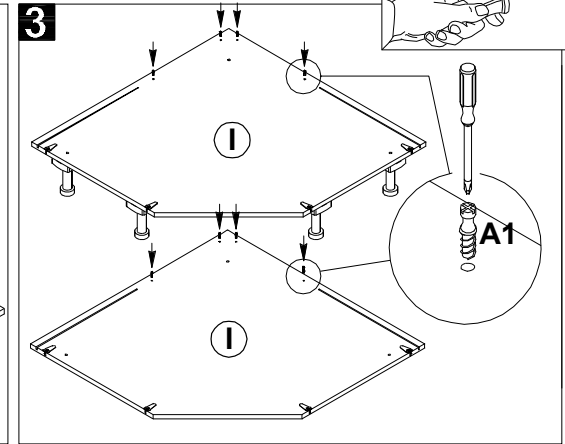
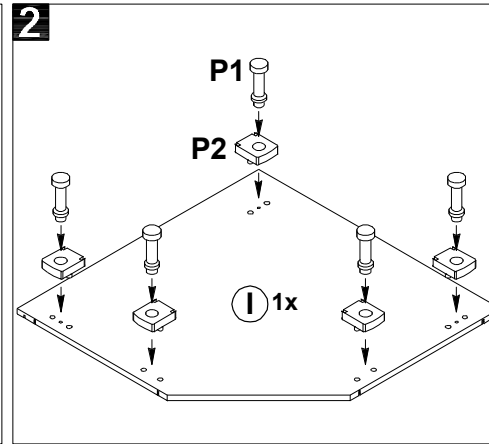
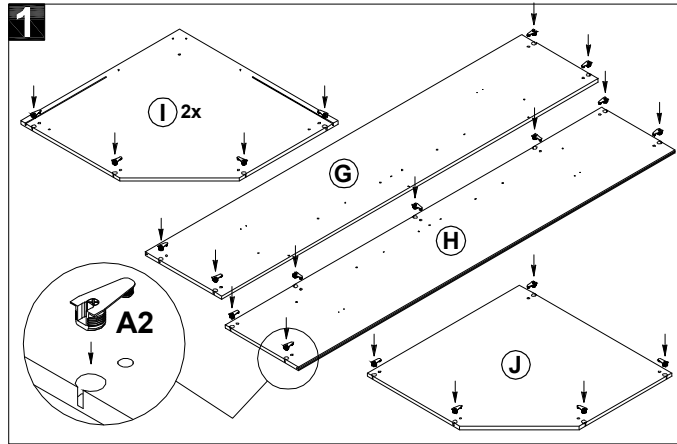
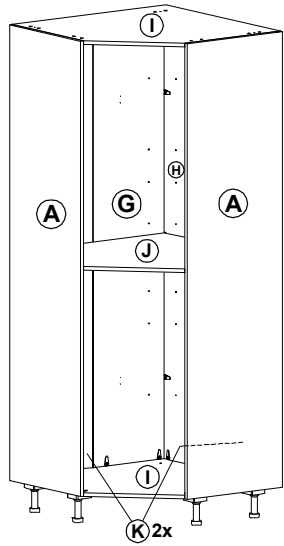
Parts



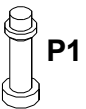
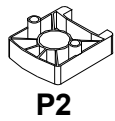


Recommended: Assembly x 2 Persons

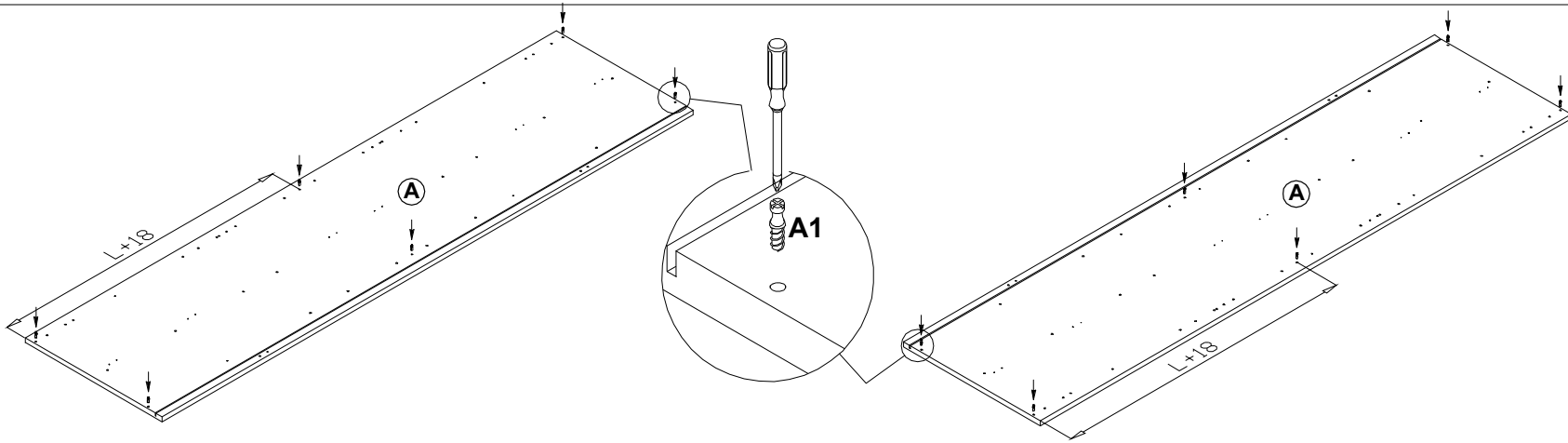
Corner Wardrobe



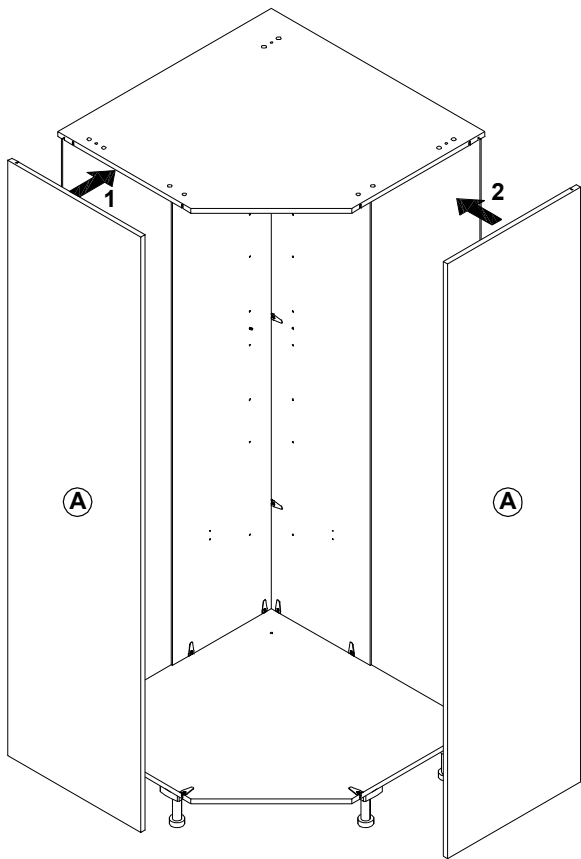
Parts



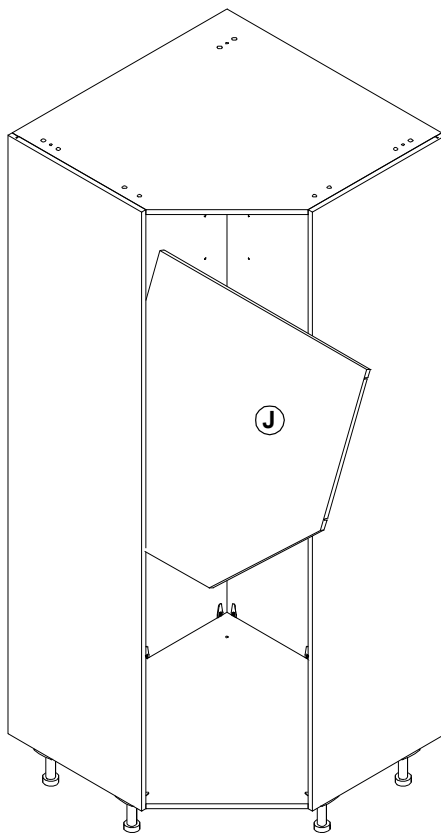
7



8



9



10

